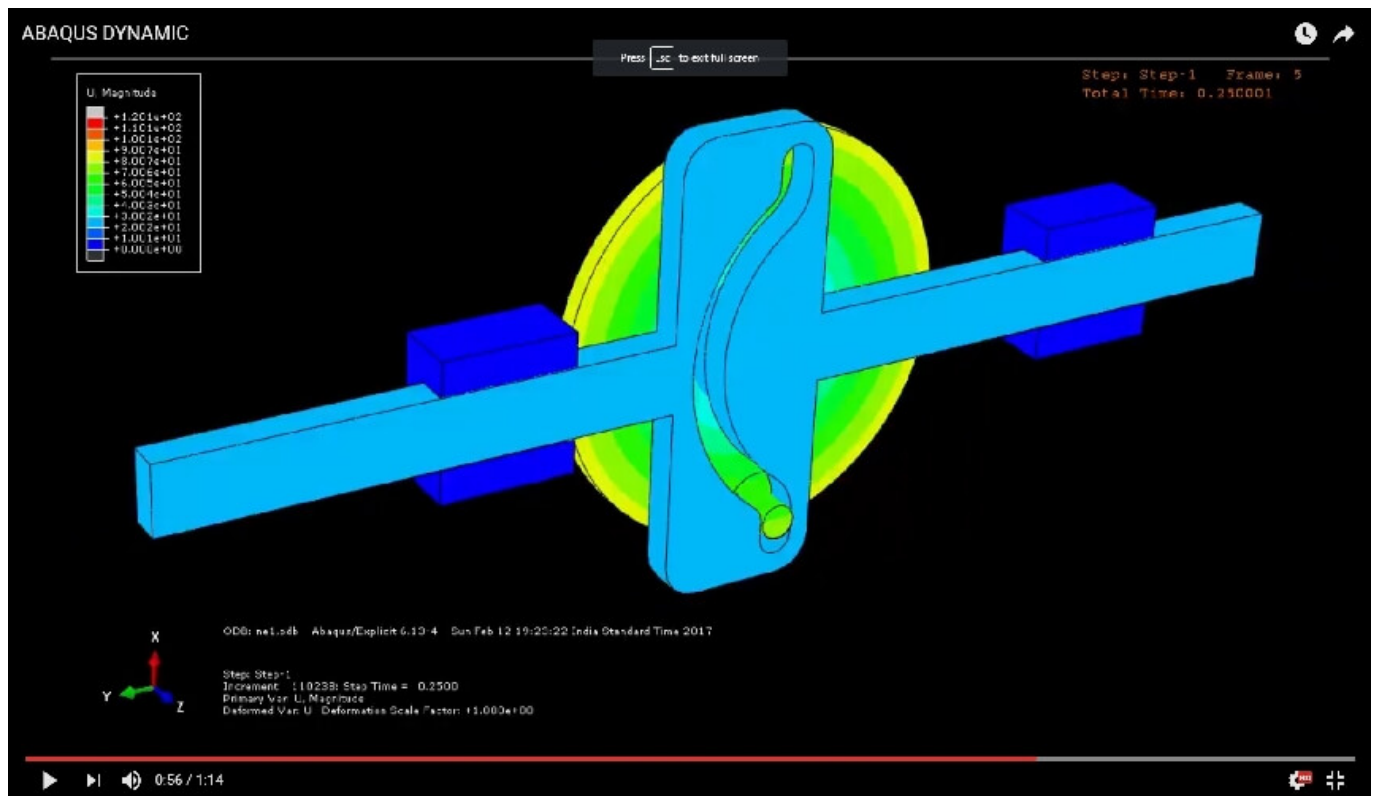


Free Download



[Free Abaqus Cracks](#)



[Free Abaqus Cracks](#)

Free Download



6 for simulating crack propagation rely on a node releasing approach Therefore, one cannot simulate directly arbitrary crack propagation via geometric representation of the crack surfaces (edges).

1. [abaqus](#)
2. [abaqus documentation 6.14](#)
3. [abaqus tutorial](#)

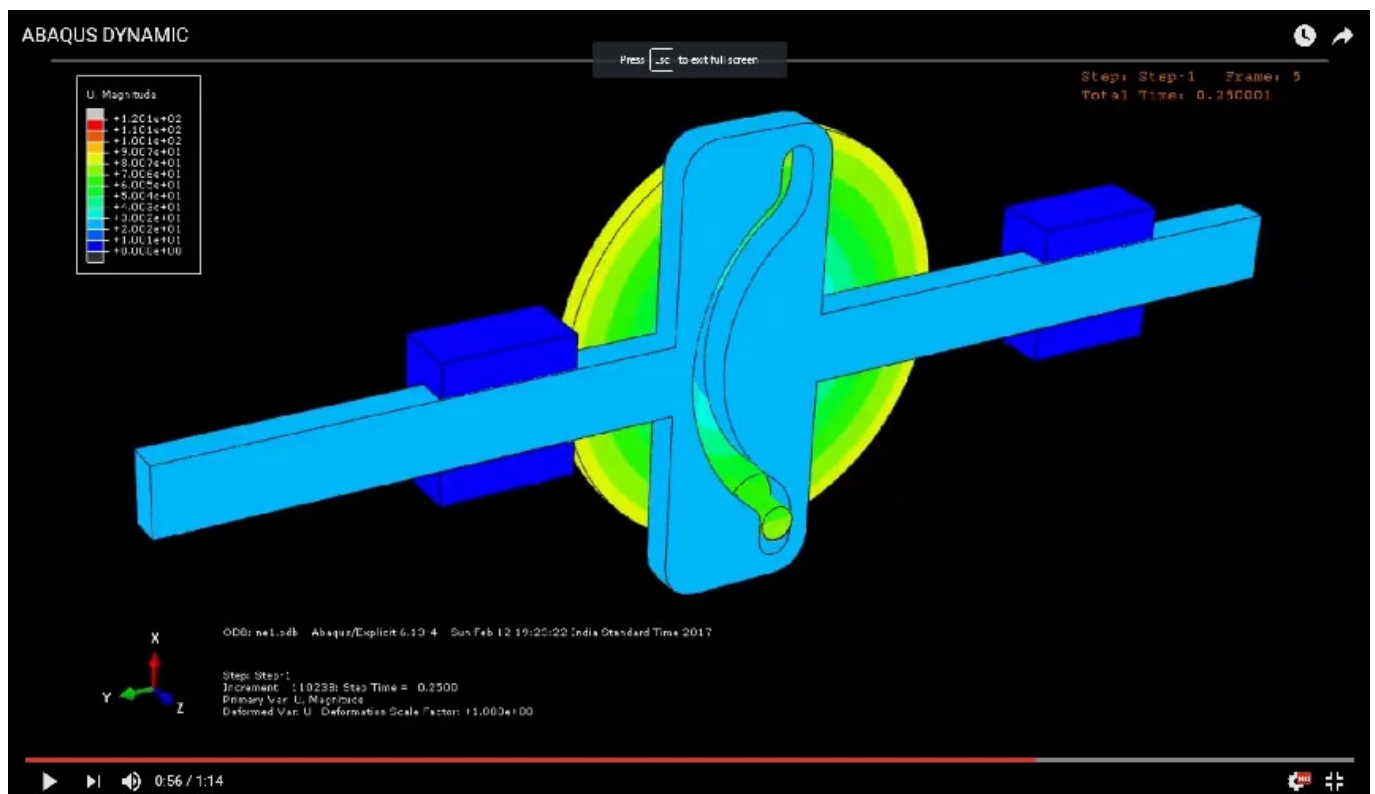
Prof Teng Li , Unfortunately, I am not aware of any publication describing how to implement arbitrary crack propagation in ABAQUS via remeshing techniques.

abaqus

abaqus, abaqus software, abaqus download, abaqus 2018, abaqus documentation, abaqus vs ansys, abaqus tutorial, abaqus units, abaqus cae, abaqus fea, abaqus crack [Paragon Ntfs For Mac 1058; 1072; 1073; 1083; 1077; 1090; 1082; 1072;](#)

But there is little chance for this path to be known a priori I would have expected the use of a criterion which would determine the new propagation direction at each increment, in other words the software should be able to find incrementally the way for the crack.. Then in the case of the path is not known in advance, an automatic remeshing is necessary.. But here again, I can not find an obvious way to automatically remesh around the crack tip at each increment My questions are : Is it possible to carry out a step by step crack propagation without defining a crack path a priori AND to do automatic remeshing with ABAQUS 6.

[Vasari Lives Of The Artists Free Ebook - The best free software for your](#)



[Terraria 1.3 Free Download Mac](#)

abaqus documentation 6.14

[Cheap Tobacco For Sale In Uk](#)

var q = 'abaqus+cracks'; Introduction • Strong technology exists in Abaqus: • Interfacial cracks with VCCT and cohesive element techniques Interfacial cracks with VCCT and cohesive element. [How To Download Microsoft Word 2011 For Free On Mac](#)

abaqus tutorial

[Tumhi Ho Bandhu Sakha Tumhi Ho Full Song Mp3 Download](#)

6? If not, what other strategy does one have to apply? Thanks The built-in capabilities of ABAQUS v6.. However, in context of LEFM frame, using ABAQUS Scripting Interface and with some programming effort, one can code some remeshing algorithms and repeatedly investigate the results database and update the FE model to simulate arbitrary crack propagation.. Abaqus Crack Analysis Category People & Blogs; License My aim is to carry out calculation of 2D crack propagation with ABAQUS 6.. My previous statement was based solely on my personal experience with ABAQUS Hello Guillaume S.. 1 Essential Steps for Abaqus XFEM modelling of cracks 1 Cracks Hi, I am studying effect of a crack on an object I saw the crack option under the assembly tree there is an option called engineering features and cracks is.. This feature is not available right now Please try again later Published on Mar 25, 2012.. 6 Section 11 4 3 “CRACK PROPAGATION ANALYSIS” is providing an overview of what the software can do, and I must say I am disappointed, for two main reasons: First, the user has to define a path for crack propagation.. I did this by dispersing cohesive elements in a region This was easiest way to do in a short time, may be still is.. For example, the work of people from Cornell Fracture Group is very relevant to this topic (FRANC2D/ FRANC3D).. Parry I have simulated crack propagation without specifying crack path a priori in ABAQUS. e828bfe731 [Suara Burung Ocehan Kolibri](#)

e828bfe731

[IDatabase 3.3 Download Free](#)